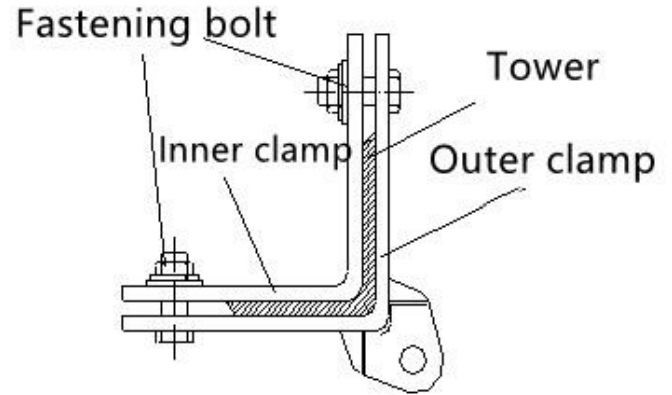


Fastening clamp for ADSS Optowire Corner Tower-NZJ

Material of hot dipped galvanized steel.
Optowire Corner Tower-NZJ designed to hold tension spiral clamp for high-voltage cables.



TECHNICAL SHEET

Sn	Model No	For Tower Size	Width of clamp	Thick of clamp	Bolt size	Bolt No.
1	NZJ-100-080	80mm below	All same 80mm	All same 6mm	M16×50mm with nut and lock & flat washer	4 sets bolts equipped with per clamp
2	NZJ-100-100	80-100mm				
3	NZJ-100-125	100-125mm				
4	NZJ-100-145	125-145mm				
5	NZJ-100-165	145-165mm				
6	NZJ-100-200	165-200mm				